

Saffire™ EVO VR-L

Wi-Fi Cylindrical Lock



Applications

- Manage access rights to allow or revoke access for guests and staff in real-time, from anywhere
- Easily send digital keys or PIN codes to guests and staff from a mobile device
- Guests can use their mobile device, RFID credentials, or PIN to access the rental unit or common areas
- Provide convenient one-time or recurring access PINs to service and maintenance personnel
- Control when and where guests and staff can go throughout the building
- Quickly delete lost access media to keep the building secure
- Get real-time notifications, including events, access anomalies and lock status

Overview

Saffire EVO VR-L is a cloud-connected RFID lock that combines high-performance with aesthetics, seamlessly integrating with building technology providers and amenities for vacation and short-term rental properties. The Saffire EVO provides an easy-to-use, secure and flexible solution offering increased convenience to homeowners, guests, staff, and property managers. Guests do not have to pick up or drop off keys. The Saffire EVO VR offers the convenience of using secure and time sensitive PIN codes, mobile devices, or RFID credentials to access guest units and common doors.

Security with IoT connectivity

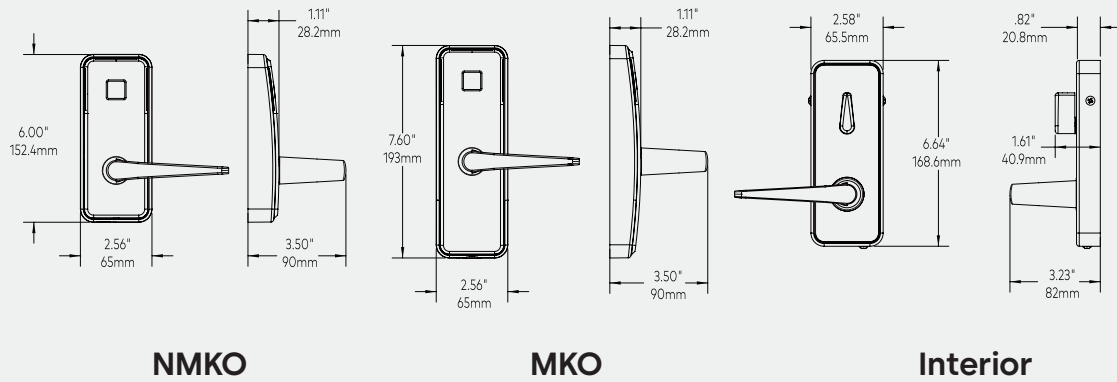
The Saffire EVO VR-L is equipped with Wi-Fi onboard, ensuring connectivity to the dormakaba cloud and seamless integration to our dormakaba partner platforms for real-time events and user notifications. Online connectivity also provides continuous updates for built-in device security.

Designed for our aggregator partners

The Saffire EVO VR product portfolio is specifically designed to be integrated with our dormakaba partner platforms to ensure a premium user experience for vacation and short-term rental guests. The dormakaba Saffire EVO cloud-connected smart locks allow easy access management of rental units, amenities, common areas and perimeter - all through a single integrated platform.

Security features

- No keys or keycards required
- Secure, time-sensitive 6-digit codes
- Online connectivity ensures continuous firmware updates for increased device security
- BHMA A156.2 Grade 2
- UL 10C 3-hour fire rating
- Non-volatile memory maintains lock programming and audit records
- Staff monitoring with RFID keycard audits
- Tamper-proof design
- No need to visit the lock to update access



Mechanical Features

Description	Online connectivity ensures continuous updates for increased device security. Supports dormakaba RFID, Bluetooth, and keypad credentials
Handing	Field-reversible
Levers	Essen, Von and Long return
Finishes**	Trim finishes: Satin chrome (626) with exterior ocean front finish
Door Thickness	From 1 3/8" to 2 1/8" (35mm to 65mm)
Standard Backset	ASM: 2 3/4" (70mm)
Batteries	3AA. Low-battery indicator to help with preventative maintenance. It is visible on the device and has an event notification in the system. Passive warning and notification.
Concealed Key Override	Optional MKO: Lori KIK core (keyed-alike, master key)
Wi-Fi Online Control	Wi-Fi 802.11 b/g/n WPA2, WPA AES 128 and TLS 1.2 >/-70dB signal strength at the lock

Mobile Access

BLE Enabled	Bluetooth Low Energy 2.4 GHz version 4.2, iOS or Android mobile device support, AES 128 and DTLS security, supported through partner mobile app
--------------------	---

** dormakaba utilizes PDV (physical vapor deposition) finishes in some instances

Lock Operation

No Touring	New credentials applied to lock through Wi-Fi
Electronic Access	User defined: customizable access for residents, visitors and property managers available through partner application
Date/time Stamp	Real time: date and hours/minutes; automatically adjusts for daylight saving time
Audit Trail	Audit trail managed through Wi-Fi. 5,000 events
Passage Mode	Set by authorized key
Lockout Mode	Set by authorized key
Toggle Mode	Use of credential is needed to lock the door after exiting unit. This stops accidental resident lockouts and delivers full audit trail to ownership/management
Credential Formats	dormakaba ComID high-security credentials 13.56MHz MIFARE DESFire EV2/EV3 ISO card or fob/mobile access credentials (BLE) / 6-digit PIN codes
Feedback LED	Light indicators
Diagnostics	Lock diagnostics through partner application
Privacy Override	Default emergency key only (user selectable)

Certifications & Testing

Certification	ANSI/BHMA A156.25, ANSI/BHMA A156.2 Grade 2
Accessibility Standard	* Complies with 2010 ADA Standards for Accessible Design. Must be installed according to ADA and local requirements
Fire Rating	Meets UL 10C and ULC S-104, on fire door rated up to and including 3 hours
Electronics	Compliant with RED Directive 2014/53/EU for electromagnetic compatibility and FCC part 15 and RSS-247 Industry Canada requirements
Environmental Operating Conditions	-31°F to 158°F (-35°C to 70°C), 0% to 90% non-condensing humidity at 86°F (30°C) meets IP54

Warranty

Standard Warranty	Two years
--------------------------	-----------

* Complies with 2010 ADA Standards for Accessible Design - Art. 309.4 (Operable Parts). For models with long lever only. Lock shall be properly aligned with the mortise or latch and must be installed strictly according to the dormakaba installation instructions and the ADA Standards and Regulations applicable for each facility, to be able to fulfill compliance with ADA requirements.

Any questions? We would be happy to advise you.

Contact us at: 1 888 217 5654